

OF028CQN

◎ **Feature**

Item	Info.
Resolution	240*320
Power supply	5V
Interface	UART
IC	ST7789V
View Direction	6 o'clock
Touch Panel	-

◎ **Mechanical Data (unit: mm)**

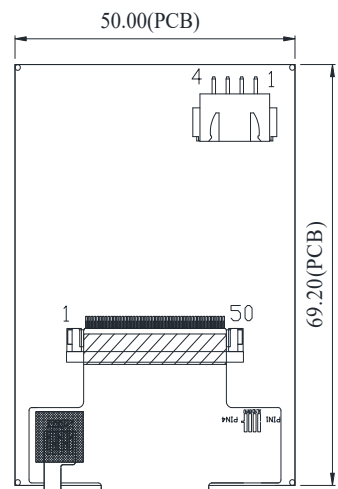
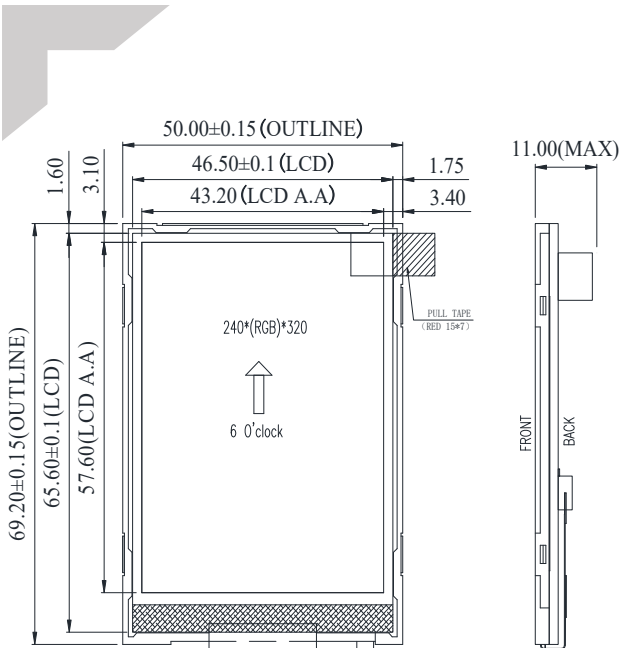
Item	Dimension
Module dimension	50.0 x 69.2
View area	45.2 x 59.5
Active area	43.20 x 57.60
Pixel size	0.18 x 0.18

◎ **Electronical Characteristics (unit: V)**

Item	Min	Typ	Max
Supply Voltage (VDD)	4.5	5.0	5.5
Voltage for Backlight	-	3.2	-

◎ **Temperature Range (unit: °C)**

Item	Min	Typ	Max
Operating Temp.	-20		70
Storage Temp.	-30		80



PIN NO	SYMBOL
1	GND
2	VDD
3	TX
4	RX